

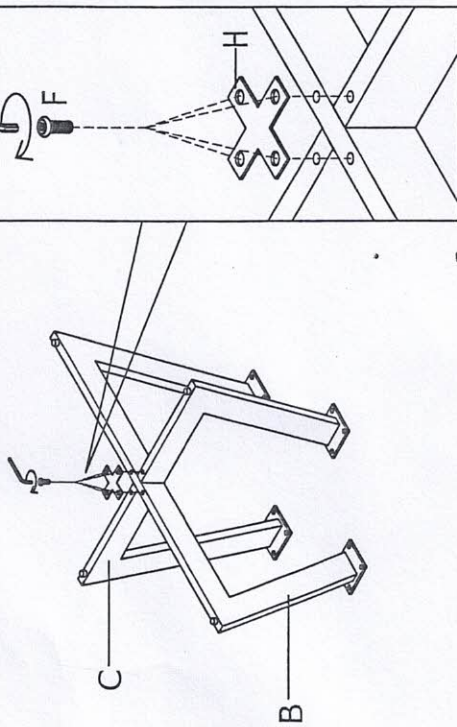
S/LMO

LIST OF ACCESSORIES

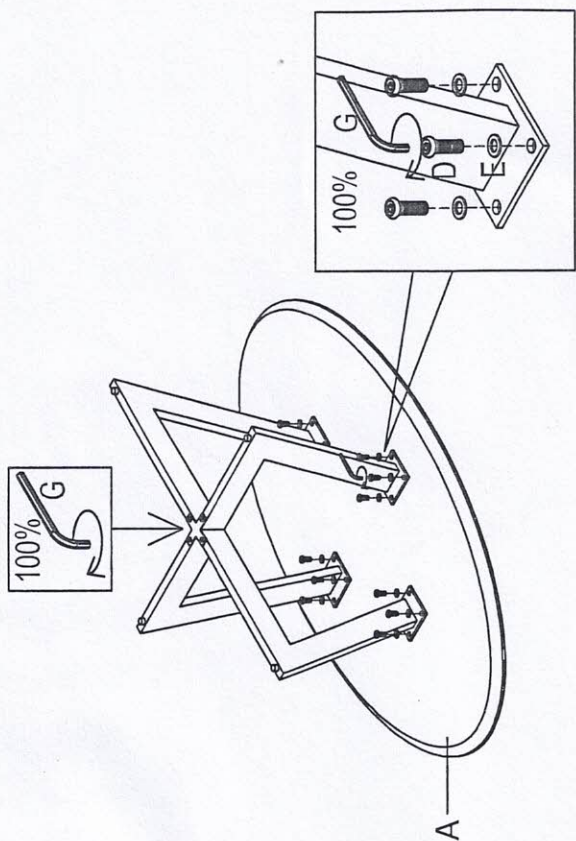
A	1Pc	C	1Pc	E	16Pcs	G	1Pc
B	1Pc	D	16Pcs	F	4Pcs	H	1Pc

ASSEMBLING STEPS

①



②



③

